

HELLO I AM STEPHAN JANSSENS AND AS A MIXED MEDIA ARTIST I ASKED MYSELF HOW I COULD BE OF ANY HELP WITH OUR CREATIVITY IN THESE BIZAR CORONA TIMES. AND YES, AFTER SOME RESEARCH OF SOME MOUTHMASKS, A LOT'S OF TESTING AND EXCERCEING. WE FOUND A SIMPLE SOLUTION WHICH COULD HELP EVERYBODY AGAINST THE SPREAD OF THE CORONAVIRUS.

### A PAPER FOLDED MOUTHMASK

FOR CLARITY : A PAPERFOLD MOUTHMASK DOES NOT FUNCTION AS A PROFESSIONAL MASK

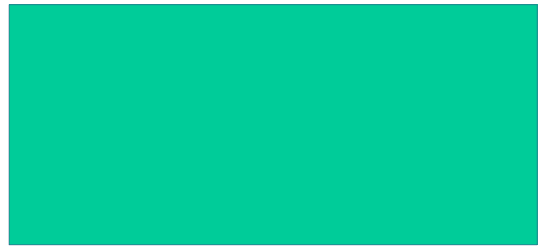
HOWEVER

**THIS FOLDED PIECE OF PAPER IS BY FAR THE WORLD CHEAPEST AND FASTEST WEAPON IN THE BATTLE AGAINST THE SPREAD OF COVID-19**

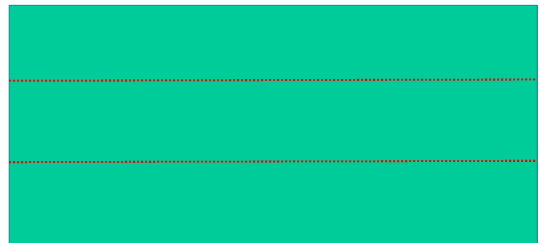
SO WHAT DO WE NEED AND HOW DOES IT WORK

1 COPYPAPER A4, 2 SHOELACES , A STAPLER AND HAIRSPRAY

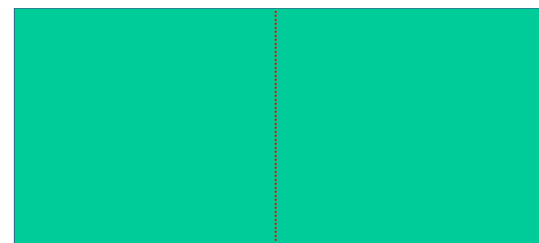
- 1) PLACE THE PAPER HORIZONTAL IN FRONT OF YOU ON THE TABLE ( LANDSCAPE)



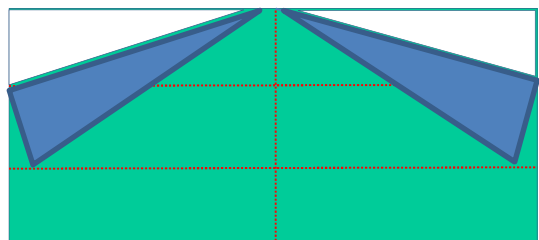
- 2) FOLD THE PAPER 2 TIMES SO YOU HAVE 3 EQUAL HORIZONTAL PARTS



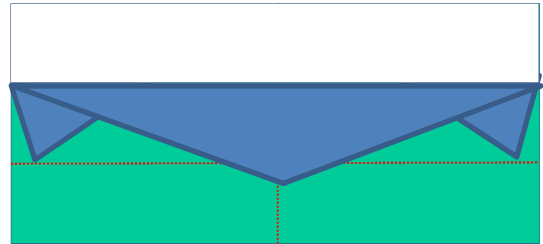
- 3) NEXT WE FOLD THE PAPER VERTICAL IN 2 AND OPEN IT AGAIN



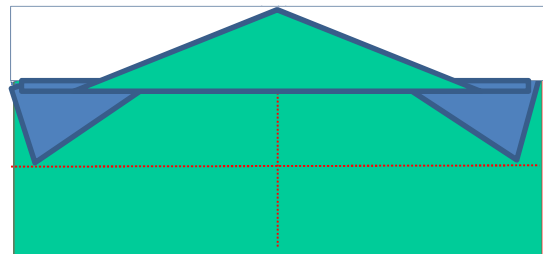
- 4) NOW FOLD THE LEFT AND RIGHT CORNER STARTING FROM THE CENTER TO THE FIRST HORIZONTAL LINE



5) THAN FOLD THE TRIANGLE DOWNWARDS OVER THE UPPER HORIZONTAL LINE

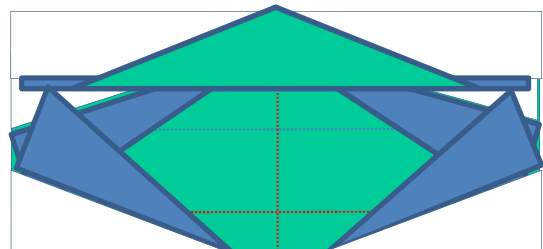


6) FOLD THE TRAIANGLE BACK UPWARDS ON A NEW HOIZONTAL LINE 8MM UNDER THE UPPER FOLD

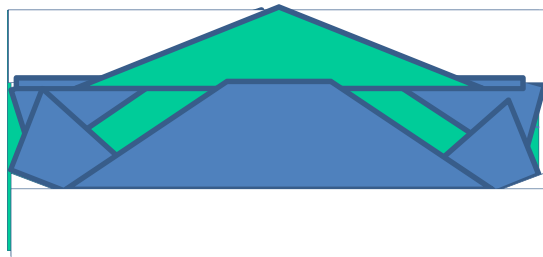


NOW WE START ALL OVER WITH THE BELOW PART

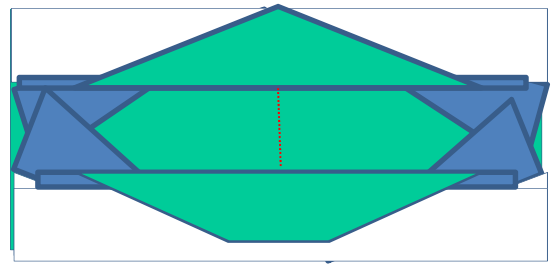
7) FOLD THE LEFT AND RIGHT UNDER CORNER STARTING 15MM LEFT AND RIGHT OUT OF THE CENTER LINE UPWARDS TO THE LOWER HORIZONTAL LINE



8) FOLD THE LOWER TRAIANGLE UPWARDS OVER THE WHOLE LOWER HORIZONTAL LINE



- 9) NOW FOLD THE TRIANGLE BACK DOWNWARDS ON A NEW HORIZONTAL LINE 8MM HIGHER THAN THE LOWER VERTICAL LINE

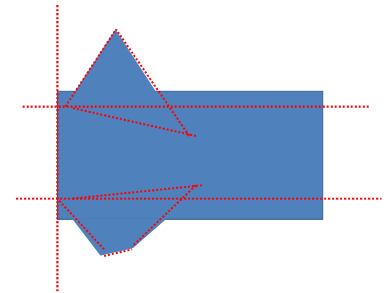


- 10) THE NEXT FOLDING MOVE IS A TRICKY ONE: IT IS BEST TO DO IT IN 2 STEPS  
FOLD THE PAPER AGAIN ON THE VERTICAL CENTER LINE

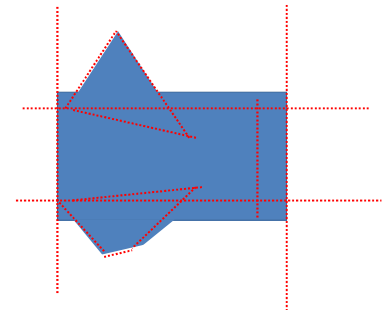
AND

- A° PULL DOWN THE UPPER TRIANGLE WHICH STARTS 8MM IN THE FRONT AND PULL THE LOWER TRIANGLE SIDE 25MM DOWNWARDS AT THE BACK

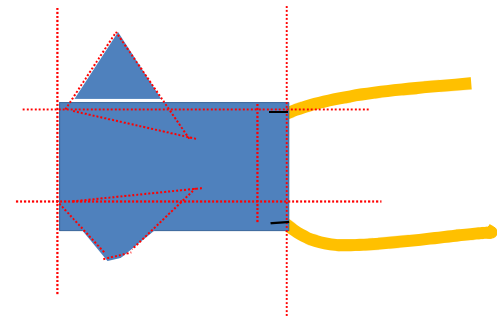
- B° PULL UP THE LOWER TRIANGLE WHICH STARTS 8MM IN THE FRONT AND PULL THE HIGHER TRIANGLE SIDE 25MM DOWNWARDS AT THE BACK



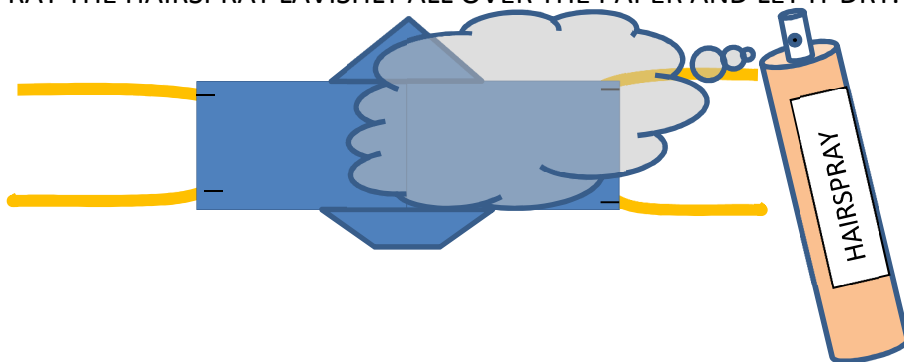
- 11) FOLD NOW THE 2 VERTICAL LINES AT THE ENDS 12MM TO THE INSIDE



12) ATTACH WITH A STAPLER THE SHOELACES CENTRAL IN THE VERTICAL FOLD  
THAN REPEAT THE SAME ON THE SECOND VERTICAL FOLD.



13) SPRAY THE HAIRSPRAY LAVISHLY ALL OVER THE PAPER AND LET IT DRY.



DO THE TEST WITH SOME WATERDROPS ON THE FRONT OF THE MASK, THE WATER SHOULD NOT BE VISIBLE ON THE INSIDE.

IF IT DOESN'T ? THAN IT IS READY.

YOU CAN FIND THE PATTERN AND WATCH THE VIDEO ON

**[www.foldyourpapermouthmask.com](http://www.foldyourpapermouthmask.com)**

SHARE THIS MESSAGE, AS THIS SIMPLE PIECE OF CREATIVE ART IS BY FAR THE FASTEST AND CHEAPEST WEAPON IN THE BATTLE AGAINST THE SPREAD OF COVID-19

I AM STEPHAN JANSSENS AN ARTIST AGAINST CORONA ...FROM BELGIUM WITH LOVE .

SUCCESS AND TAKE CARE BYE